
Oracle PeopleSoft

Product Information

Category	Student Information System (SIS)
Sub-category	
Website	http://www.oracle.com/us/products/applications/peoplesoft-enterprise/campus-solutions/overview/index.html
Product version	Campus Solutions 9.2 People Tools 8.52
Documentation	https://docs.oracle.com/cd/F26850_01/cs92pbr16/eng/cs/index.html
API Documentation	https://docs.oracle.com/cd/E66686_01/pt855pbr1/eng/pt/trws/concept_WebServicesOverview-597fbe.html

About Oracle PeopleSoft

Oracle's comprehensive Campus Solutions suite is the leader in fulfilling higher education's requirements for a student system, enabling the transformation to a global campus—for today and the future. Much of the information your institution needs is about its students. Because of this, Oracle focused first on creating and continually enhancing a comprehensive, functionally-rich student information system (SIS). PeopleSoft Campus Solutions provides institutions with support for the full student life-cycle from prospects through enrollment to alumni management.

(<http://www.oracle.com/partners/en/products/industries/peoplesoft-campus-solutions/overview/index.html>)

Integration Overview

The campusM integration with PeopleSoft has different services available. Click on each of the services below to find out more information:

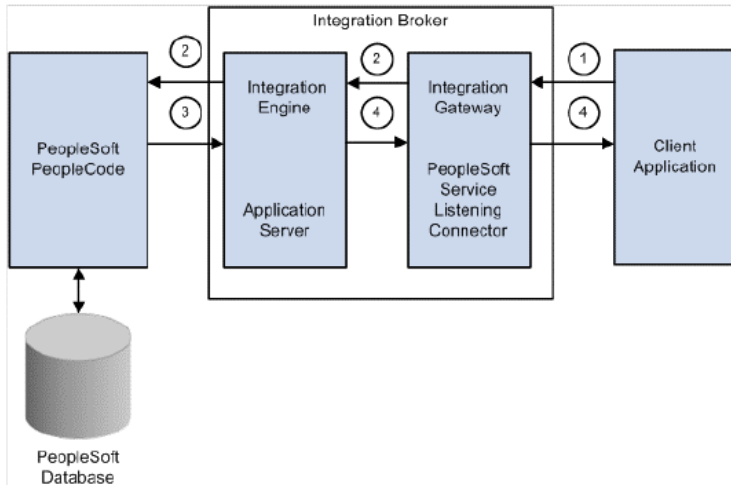
- **Grades**: displays students' grade details for an institution and by semester. This data includes cumulative GPA, term GPA, subject, course name and course grade.
- **Class Schedule**: displays students' class schedule by month (on web), weekly (on app), allows student to view details for a specific class.
- **Personal Details**: displays students' directory information
- **My Advisor**: displays contact information for a student's advisor and/or key contacts

Click on each of the above services for detailed information.

Integration Method

- API (Integration Broker)

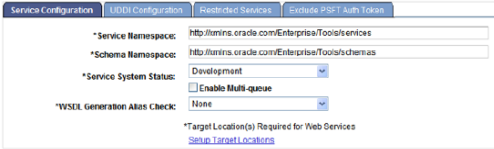

Integration Broker Architecture



Prerequisites

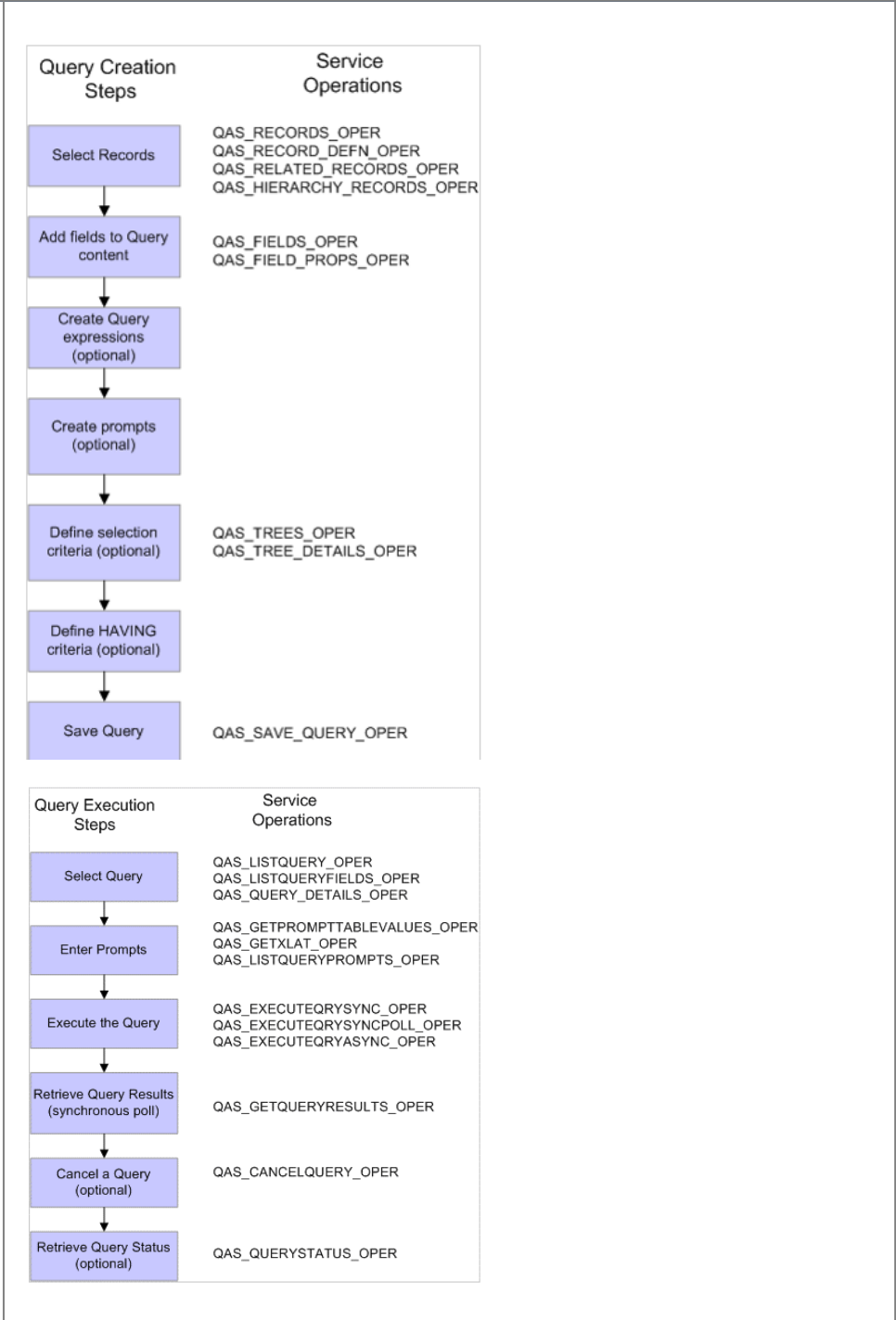
There are several prerequisites to the campusM integration with Oracle PeopleSoft::

Prerequisite	Additional Information
PeopleTools 8.50 or higher	
Provide PeopleSoft API URL/hostname for: <ul style="list-style-type: none"> • Test environment • Production environment 	
Provide a minimum of three (3) test accounts containing comprehensive and typical data, including the following: <ul style="list-style-type: none"> • Courses • Grades • Advisor • Personal Details 	The test accounts should allow testing the integration according to the Suggested Testing Guidelines. i.e. should support authentication / log into the app as the test account been provided and run complete end-to-end testing of the integration functionality.
Set up Integration Broker	See Implementing PeopleSoft Integration Broker
Set up the Integration Gateway	The minimum setup requirement to run an integration gateway are: <ol style="list-style-type: none"> 1. Specify the gateway URL (See Defining Integration Gateways)

Prerequisite	Additional Information
	<ol style="list-style-type: none"> Specify the Oracle Jolt connection string properties to enable communication with each PeopleSoft Integration Broker node that will be involved in an integration that uses a gateway (See Setting Oracle Jolt Connection Properties) Set and encrypt the keystore password (See Configuring Security and General Properties)
<p>Configure Integration Gateway for handling services:</p> <ul style="list-style-type: none"> Navigate to: PeopleTools -> Integration Broker -> Services Configuration Define the services namespace and the schema namespace. 	<p>See Understanding Configuring PeopleSoft Integration Broker for Handling Services.</p> 
<p>Define the Target locations:</p> <ul style="list-style-type: none"> Navigate to: PeopleTools -> Integration Broker -> Services Configuration -> Setup Target Locations hyperlink 	<p>See Setting Target Locations for Services.</p> 
<p>Register Nodes with the network</p>	<ul style="list-style-type: none"> Set the network node password Confirm that integration gateway keystore values are set Register nodes with the network
<p>Activate the application server domain:</p> <ul style="list-style-type: none"> Navigate to: PeopleTools -> Integration Broker -> Services Operations Monitor -> Administration -> Domain Status 	
<p>Update security on service operation permissions</p>	
<p>Using QAS_QRY_SERVICE, Create queries or Execute Existing queries for each tile</p>	<p>See Query Access Service Operations.</p>

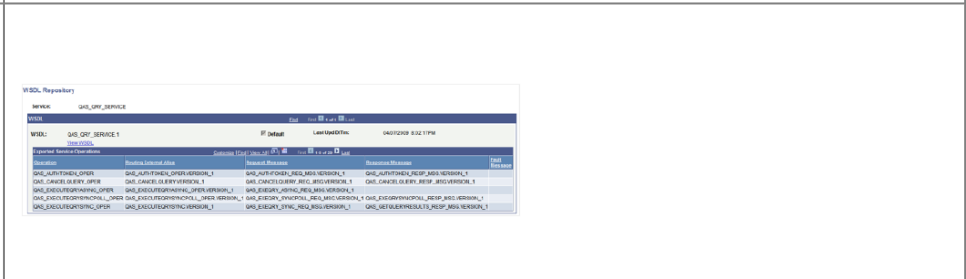
Prerequisite	Additional Information
--------------	------------------------

Prerequisite



Publish and Export the WSDL to the Client Application (campusM connect layer)

- Navigate to: PeopleTools -> Integration Broker -> Integration Setup -> Services (QAS_QRY_SERVICE)



Provide **Student API credentials/Security token** (username and password)

Prerequisite	Additional Information
Provide PeopleSoft ID mapping and lookup method : <ul style="list-style-type: none">• Username or numerical student ID• LDAP lookup or SAML attribute	
Provide Term field format and definition.	